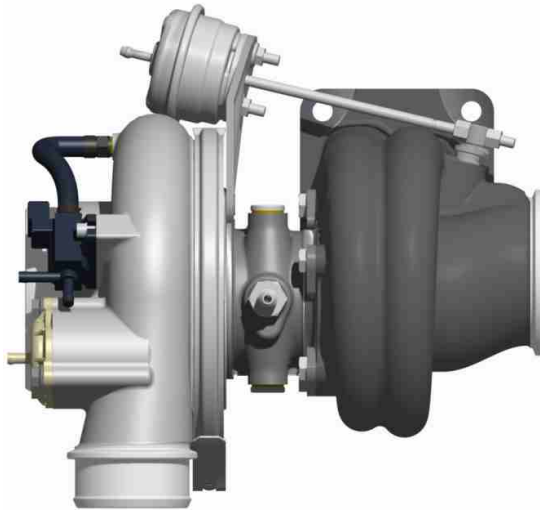


EFR-7064

300-500HP

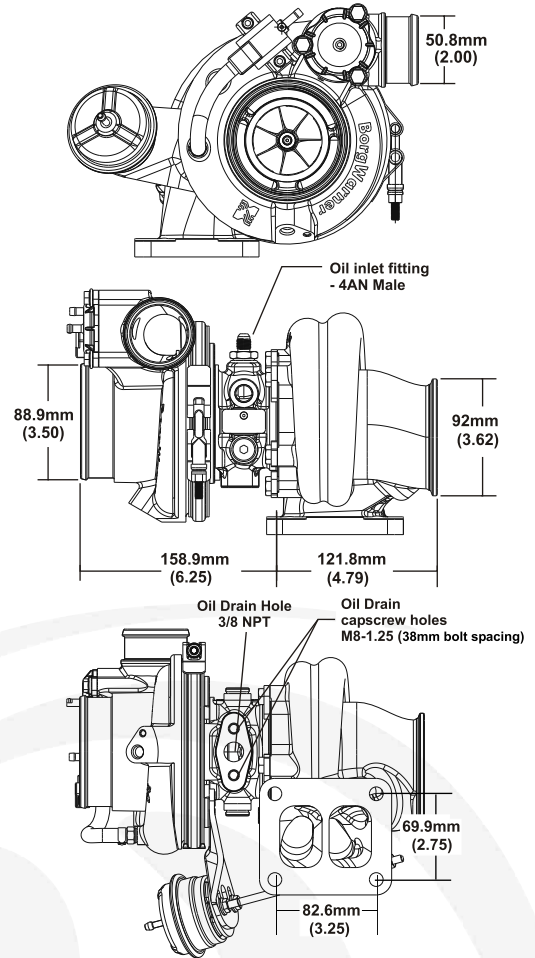


- ✓ Gamma-Ti Turbine Wheel
- ✓ Dual Ball Bearing Assy with Metal Cage
- ✓ Forged Milled Extended Tip Compressor Wheel
- ✓ Stainless Steel Turbine Housing
- ✓ Water Cooled Bearing Housing
- ✓ Large Internal Wastegate (where applicable)
- ✓ Compressor Recirculation Valve (a.k.a BOV)
- ✓ Boost Control Solenoid Valve
- ✓ Standard T4 Mounting Flange

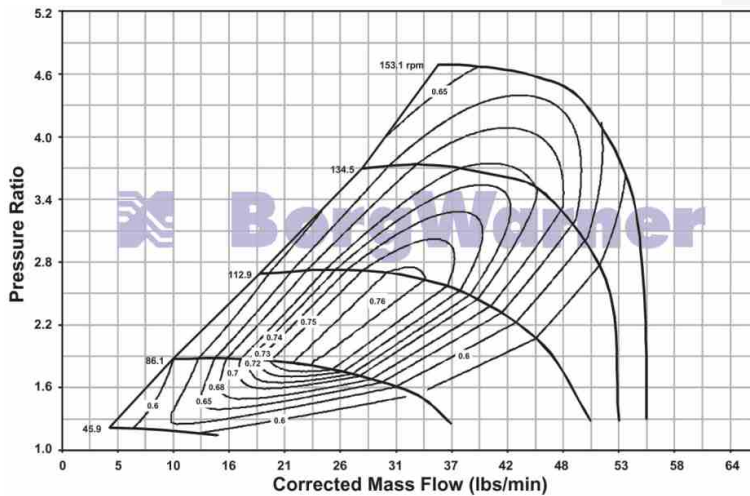
Not included with turbo assemblies:

- Speed sensor
- Turbine outlet V-Band
- Turbine inlet gasket
- Oil drain gasket or drain port fitting

Turbo Frame Dimensions

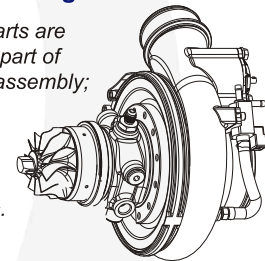


Compressor Map



Super Core Configuration

The following parts are not included as part of the super-core assembly; turbine housing, assembly, clamp plate hardware, wastegate parts.



Turbine Housing Options

Turbine Housing Part Number	inlet flange A/R	Housing shape	Housing Config
12641008006	0.83	T3	Single Scroll WG
12641008007	0.92	T4	Twin Scroll WG
12641019016	1.05	T4	Twin Scroll Non-WG

Turbo Part Number	Turbo Frame Size	Super Core Part Number	Comp. Whl O.D. (in)	Comp. Whl Inducer Dia (in)	Comp. Whl O.D.(mm)	Comp. Whl		Turb. Whl OD(mm)	Turb. A/R	Inlet Flange Config
						Inducer Dia(mm)	Turb. Whl			
179389	B2	179354	2.75	2.06	69.9	52.2	64.0	.92	T4	