

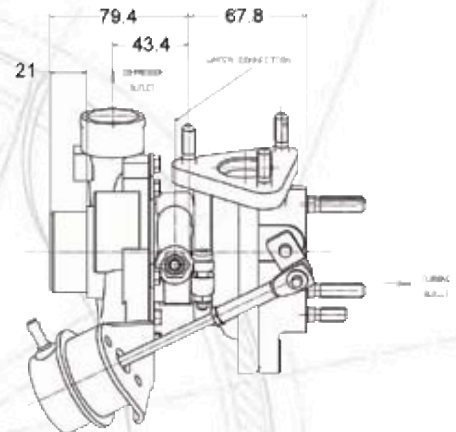
GT1241

Garrett®
by Honeywell

2000	DISPLACEMENT 0.4L - 1.2L
1900	
1800	
1700	
1600	
1500	
1400	
1300	
1200	
1100	
1000	
900	
800	
700	
600	
500	
400	
300	
200	
100	
0	



- Journal bearing, oil & water-cooled CHRA
- Smallest Garrett® turbocharger available
- Excellent for motorcycles or other small displacement engines
- Internally wastegated turbine housing, complete with actuator



Component	FLANGE		INLET		OUTLET	
	Page	Diagram	Page	Diagram	Page	Diagram
Compressor	82	13	82	09		
Turbine	83	07	85	02		
Oil	84	10	84	10		
Water	86	12	86	12		

GT1241		COMPRESSOR				TURBINE		
Turbo PN	CHRA PN	Ind Whl Dia	Exd Whl Dia	Trim	A/R	Whl Dia	Trim	A/R
756068-1	757864-1	29.0mm	41.0mm	50	0.33	35.5mm	72	0.43

