

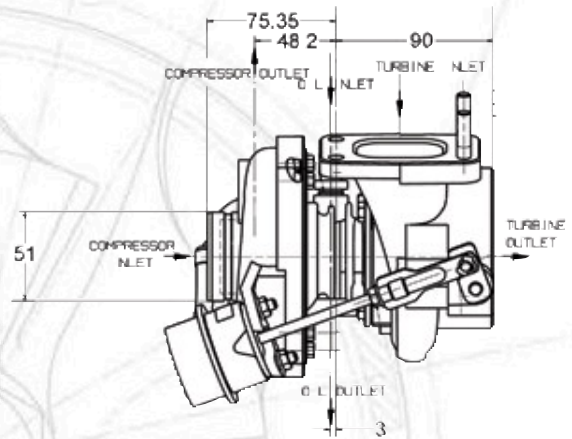
# GT2056

**Garrett®**  
by Honeywell

2000	DISPLACEMENT 1.4L - 2.0L HORSEPOWER 140 - 260
1900	
1800	
1700	
1600	
1500	
1400	
1300	
1200	
1100	
1000	
900	
800	
700	
600	
500	
400	
300	
200	
100	
0	

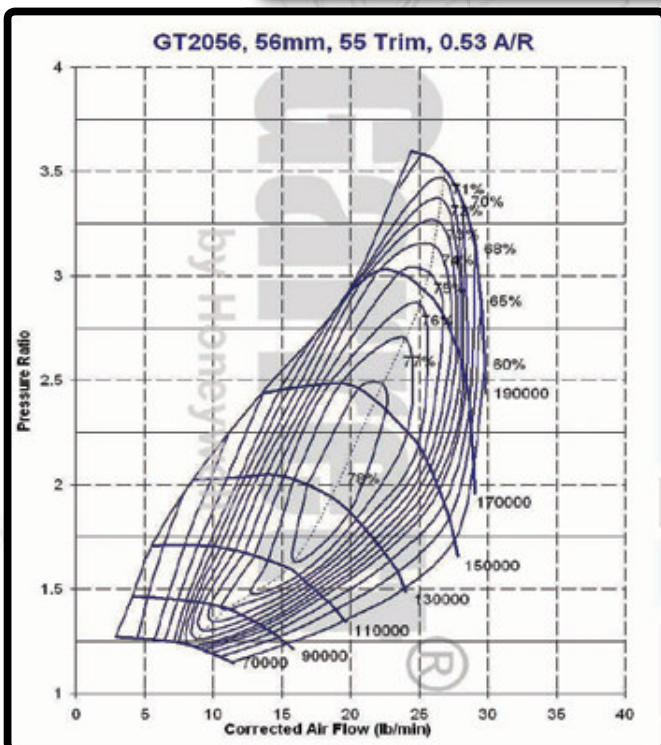


- Journal bearing, oil-cooled CHRA
- Internally wastegated turbine housing, complete with actuator



FLANGE	INLET		OUTLET	
	Component	Page	Diagram	Page
Compressor	82	18	82	16
Turbine	83	03	85	08
Oil	See Note		84	16
Water	-	-	-	-

GT2056		COMPRESSOR				TURBINE		
Turbo PN	CHRA PN	Ind Whl Dia	Exd Whl Dia	Trim	A/R	Whl Dia	Trim	A/R
751578-2	433289-234	41.5mm	56.0mm	55	0.53	47.0mm	72	0.46



Dimension Note:  
Oil Inlet: Both PN - M10x1.0 (F) or M14x1.5 (M)

