

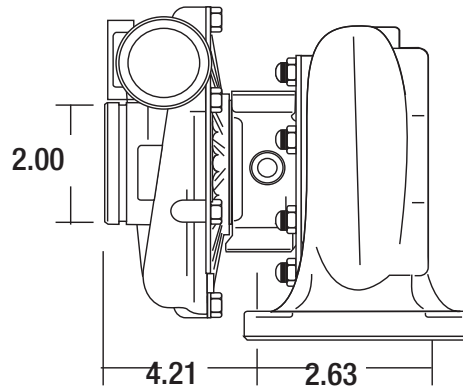
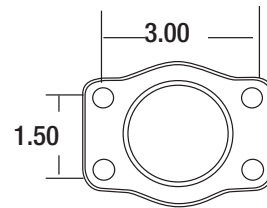
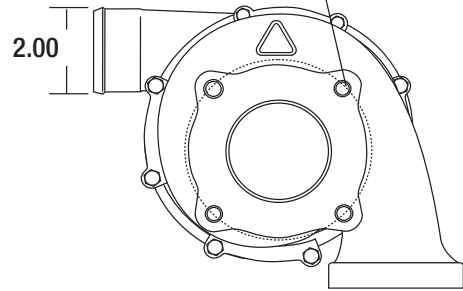
# K26

## 200 - 375 HP Turbo



### Turbo Frame Dimensions

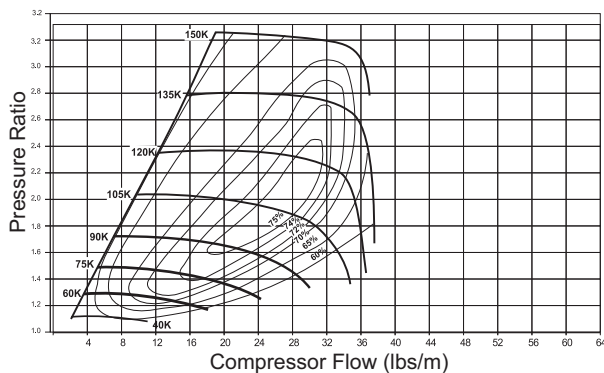
Bolt circle diameter 3.62



### Turbo Features

- Twin hydrodynamic journal bearings
- Open volute design
- Adjustable compressor and turbine housing orientation
- Compact design
- High temperature alloy turbine housing

### Compressor Map



Turbo Part Number	Comp. Wheel O.D.	Comp. Wheel Inducer Dia.	Comp. Wheel Inducer Dia. (mm)	Turbine Wheel O.D.	Turbine Wheel O.D. (mm)	Turbine Wheel Exducer	Turbine Wheel Exducer (mm)	Turbine A/R	Cartridge Assembly	Service Kit
5326-988-6720	2.60	1.73	44	2.52	64	1.88	48	6 <sup>2</sup> cm	5326 710 0507	5326 711 0501
5326-988-7042	2.60	1.80	46	2.52	64	2.17	55	8 <sup>2</sup> cm	5326 710 0522	5326 711 0501