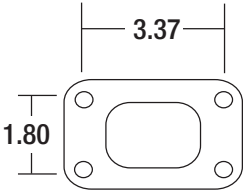
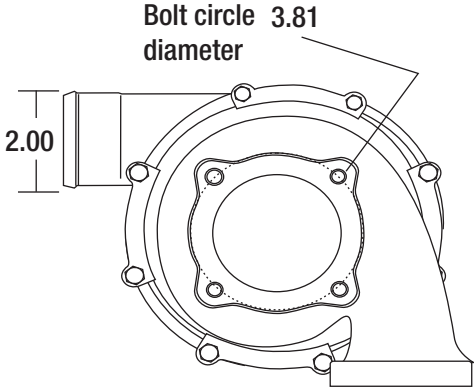


K27-3072

250 - 550 HP Turbo



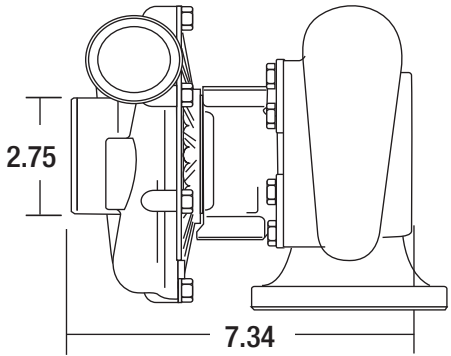
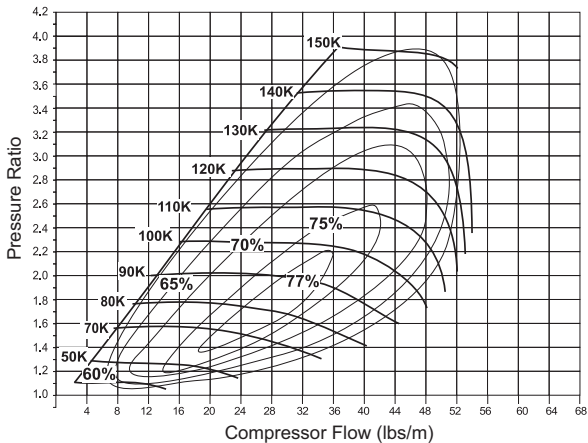
Turbo Frame Dimensions



Turbo Features

- Twin hydrodynamic journal bearings
- Open volute design
- Adjustable compressor and turbine housing orientation
- Compact design
- High temperature alloy turbine housing

Compressor Map



Turbo Part Number	Comp. Wheel O.D.	Comp. Wheel Inducer Dia.	Comp. Wheel Inducer Dia. (mm)	Turbine Wheel O.D.	Turbine Wheel O.D. (mm)	Turbine Wheel Exducer	Turbine Wheel Exducer (mm)	Turbine A/R	Cartridge Assembly	Service Kit
5327 988 7200	3.00	2.16	55	2.75	70	2.31	59	11 $\frac{1}{2}$ cm	5327 710 0518	5326 711 0040