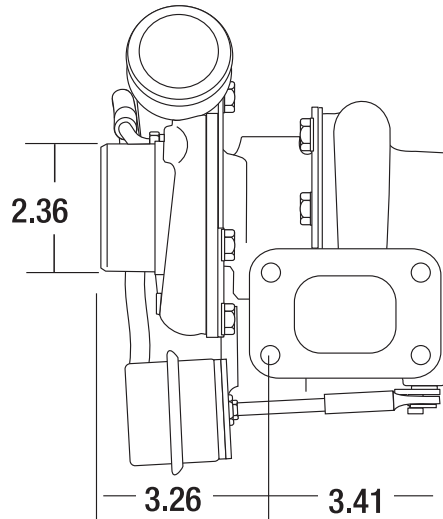
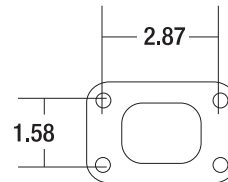
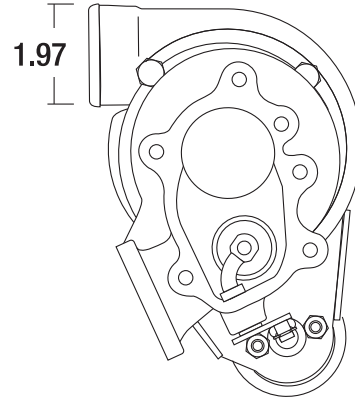


# S1BG

## 120 - 320 HP Turbo



### Turbo Frame Dimensions

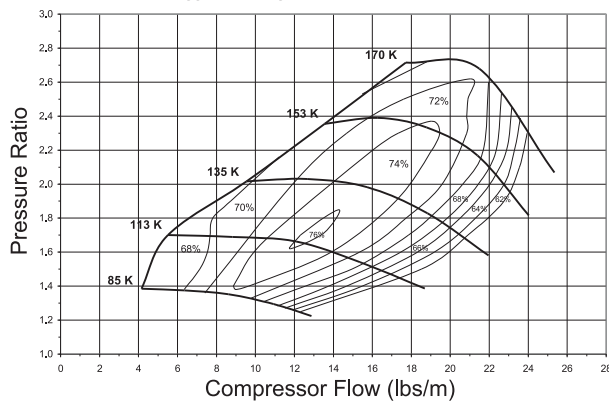


### Turbo Features

- Twin hydrodynamic journal bearings
- Integrated wastegate assembly
- Adjustable compressor and turbine housing orientation

### Compressor Map

(Applicable to part number 313296)



Turbo Part Number	Comp. Wheel O.D.	Comp. Wheel Inducer Dia.	Comp. Wheel Inducer Dia. (mm)	Turbine Wheel O.D.	Turbine Wheel O.D. (mm)	Turbine Wheel Exducer	Turbine Wheel Exducer (mm)	Turbine A/R	Cartridge Assembly	Service Kit
313295	1.90	1.35	34	1.85	47	1.57	40	.35	N/A	318374
313296	2.08	1.55	39	2.08	53	1.80	46	.46	315358	318374
313683	2.08	1.55	39	2.08	53	1.80	46	.61	N/A	318374
313297	2.28	1.70	43	2.08	53	1.80	46	.61	313737	318374
313798	2.28	1.70	43	2.08	53	1.80	46	.81	313737	318374