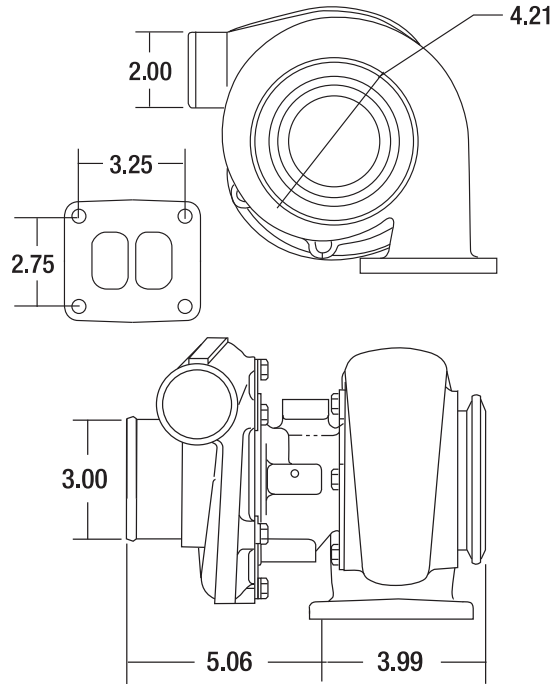


S200SX

220 - 580 HP Turbo



Turbo Frame Dimensions

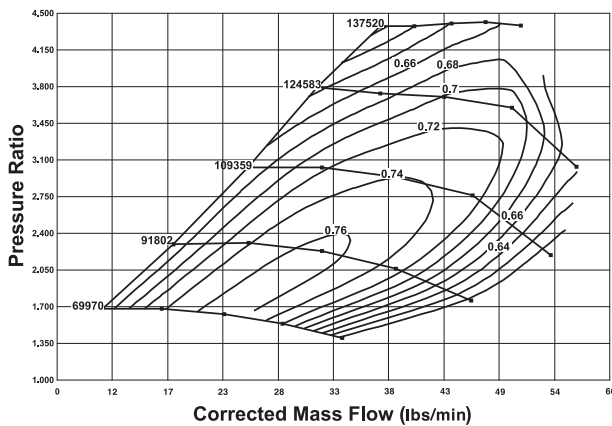


Turbo Features

- Twin hydrodynamic journal bearings
- Extended tip technology compressor wheel
- Twin scroll turbine housing
- Adjustable compressor and turbine housing orientation

Compressor Map

(Applicable to part number 177268)



Extended Tip Technology

Turbine Housing

Part Number	A/R
177193	1.00
177192	1.15
177194	1.22

Turbo Part Number	Comp. Wheel O.D.	Comp. Wheel Inducer Dia.	Comp. Wheel Inducer Dia. (mm)	Turbine Wheel O.D.	Turbine Wheel O.D. (mm)	Turbine Wheel Exducer	Turbine Wheel Exducer (mm)	Turbine A/R	Cartridge Assembly	Service Kit
177258	2.74	1.81	46	2.74	70	2.42	61	.83	176639	318383
177267	2.74	1.95	50	2.74	70	2.42	61	1.09	176642	318383
177257	2.74	2.00	51	2.74	70	2.42	61	.83	176638	318383
177268	3.00	2.19	56	2.74	70	2.42	61	1.22	176637	318383