

S300GX

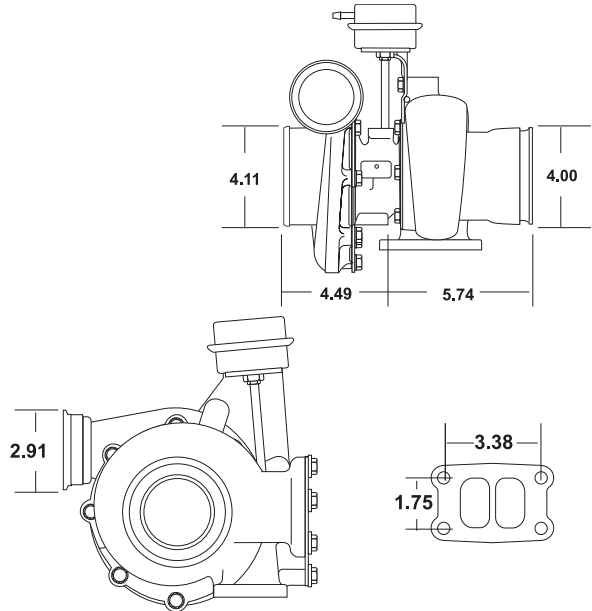
Cummins 5.9 Upgrade



BorgWarner S300G Upgrade Turbo for Cummins 5.9 Engines



Turbo Frame Dimensions



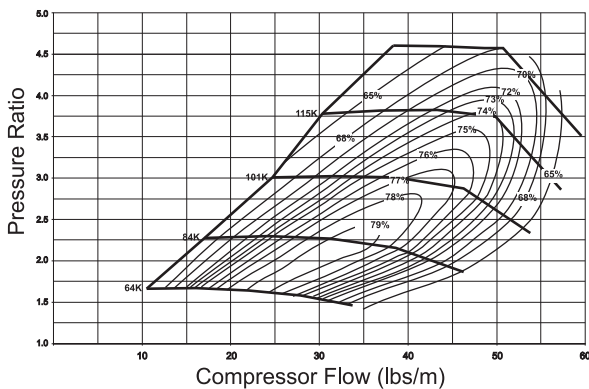
Turbo Features

The BorgWarner S300GX replacement turbo is more than a great match for your Cummins 5.9 engine. The S300G is aerodynamically designed to provide boost that can propel your Cummins 5.9 engine to 400 wheel horsepower. A rugged thrust bearing system helps insure the durability of your S300G, even under these extreme load conditions.

To realize the full horsepower potential of your S300G, we highly recommend the use of the following upgrade components:

- 4" Exhaust System
- Performance Chip
- High Flow Fuel Injectors
- High Flow Air Filter
- Ram Air Intake Tube
- Boost Control Fitting

Compressor Map



Dodge 5.9 Engine Performance Turbo Upgrade Chart

Model Year	Transmission Type	Stock Horsepower	BW TS Turbo Part Number	Turbo Mfr. Model Number
1994	Auto	160	174430	S300G
1994	Manual	175		
1994	One Ton Truck	240	174430	S300G
1995	Auto	160		
1995	Manual	175	174430	S300G
1996	Auto	180		
1996	Manual	215	174430	S300G
1996	California Emission	180		
1997	Auto	180	174430	S300G
1997	Manual	215		
1997	California Emission	180	174430	S300G
1998	12 Valve Auto	180		
1998	12 Valve Manual	215	174430	S300G
1998	12 Calif Emission	180		
1998.5	12 Valve Auto & Manual	215	174430	S300G
1999	Auto	215		
1999	Manual	230	174430	S300G
2000	Auto	215		
2000	Manual	230	174430	S300G
2001	Auto	235		
2001	Manual	245	174430	S300G
2002	Auto	235		
2002	Manual	245	174430	S300G