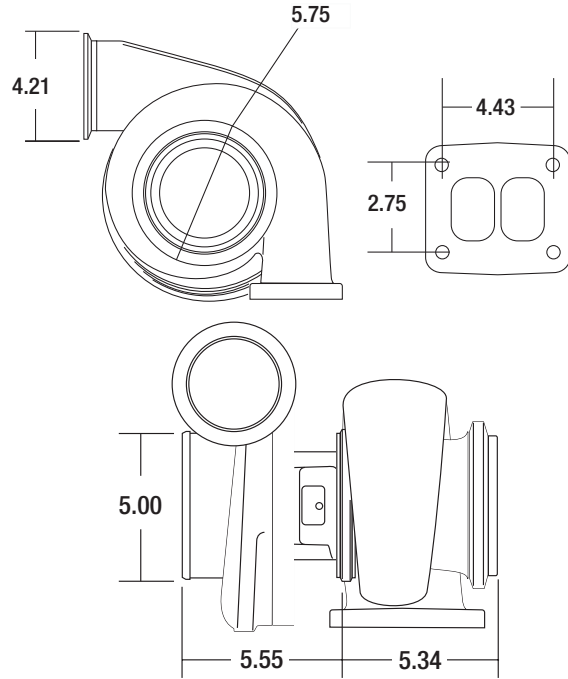


# S400SX4

500-1050 HP Turbo



## Turbo Frame Dimensions

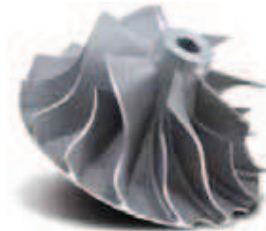
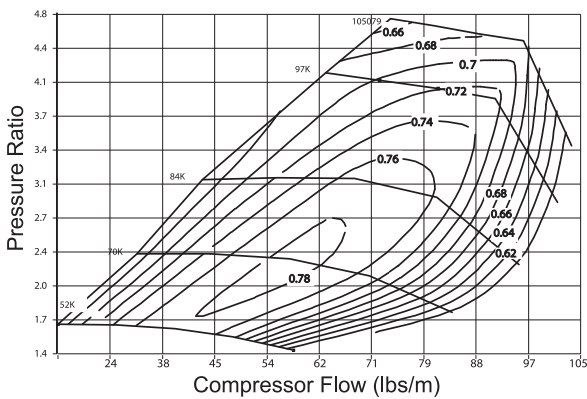


## Turbo Features

- Twin hydrodynamic journal bearings
- Extended tip technology compressor wheel
- Twin scroll turbine housing
- Adjustable compressor and turbine housing orientation
- Compressor cover recirculation grooves

## Compressor Map

(Applicable to part numbers 171702 and 176806)



Extended Tip Technology

## Turbine Housing

Part Number	A/R
176809	0.90
176810	1.00
176811	1.10
176812	1.25
(176806 Only)	

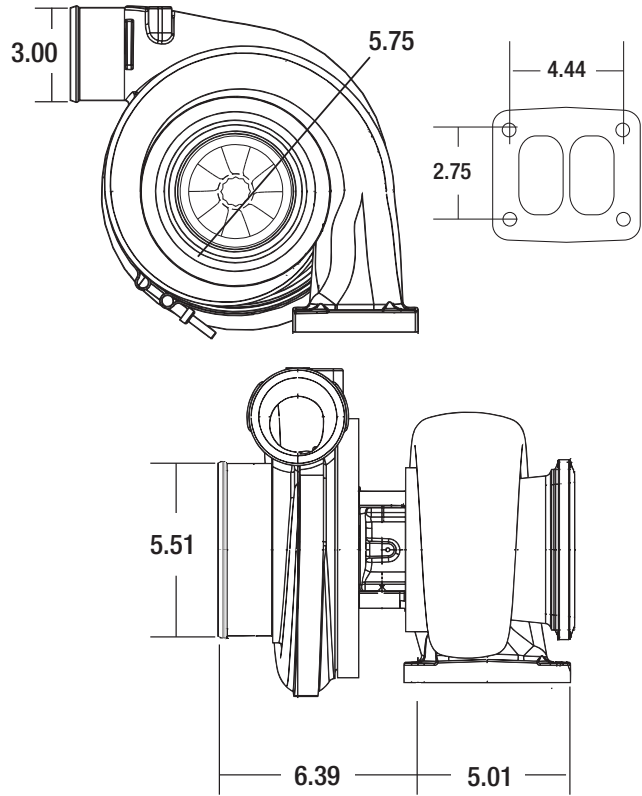
Turbo Part Number	Comp. Wheel O.D.	Comp. Wheel Inducer Dia.	Comp. Wheel Inducer Dia. (mm)	Turbine Wheel O.D.	Turbine Wheel O.D. (mm)	Turbine Wheel Exducer	Turbine Wheel Exducer (mm)	Turbine A/R	Cartridge Assembly	Service Kit
171701	3.94	2.80	71	3.77	96	3.47	88	1.32	171699	176391
171702	3.94	2.94	75	3.77	96	3.47	88	1.32	171703	176391
176806	3.94	2.94	75	3.29	83	2.93	74	1.10	176807	318396

# S400SX4

750-1250 HP Turbo



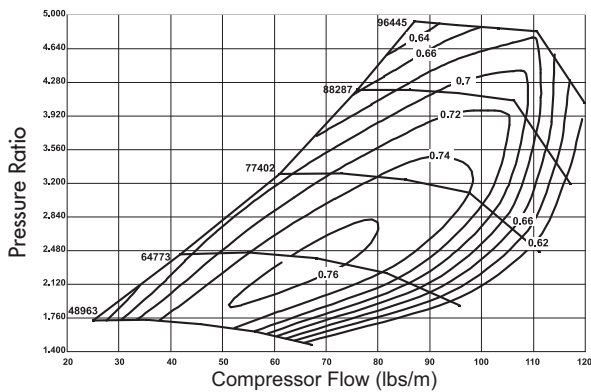
## Turbo Frame Dimensions



## Turbo Features

- Twin hydrodynamic journal bearings
- Extended tip technology compressor wheel
- Twin scroll turbine housing
- Adjustable compressor and turbine housing orientation
- Compressor cover recirculation grooves

## Compressor Map



Extended Tip Technology

Turbo Part Number	Comp. Wheel O.D.	Comp. Wheel Inducer Dia.	Comp. Wheel Inducer Dia. (mm)	Turbine Wheel O.D.	Turbine Wheel O.D. (mm)	Turbine Wheel Exducer	Turbine Wheel Exducer (mm)	Turbine A/R	Cartridge Assembly	Service Kit
177287	4.32	3.16	80	3.77	96	3.47	88	1.32	176654	176391