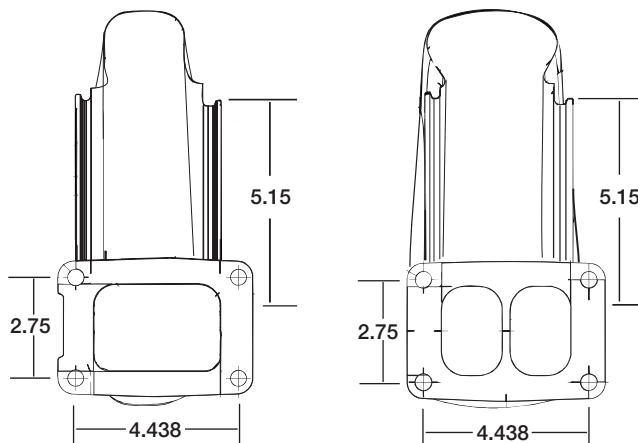
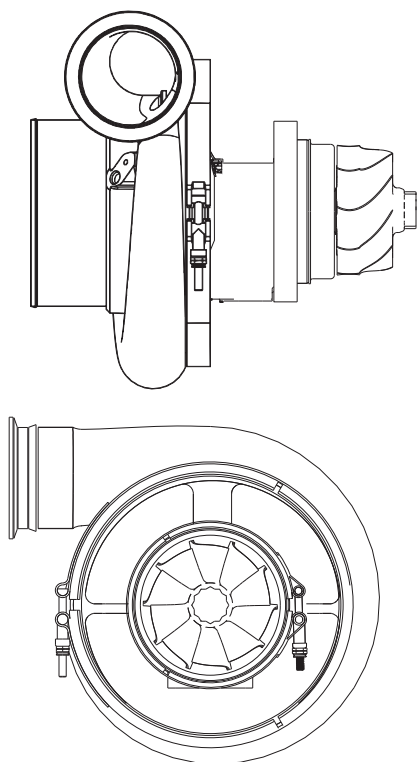


Turbine Housing Configurations



Turbine Housing Options

Part No.	A/R	Volute
179159	0.85	Open Flow
179160	1.00	Open Flow
179161	1.15	Open Flow
179162	1.45	Open Flow
179478	1.15	Twin Flow
179192	1.45	Twin Flow
179193	1.60	Twin Flow

110mm (O.D.) Turbine Wheel

Component	Part Number	Part Number
Turbo	179188	179191
Super Core	179186	179190



Luis Corujo, Paradise Racing

S500SX