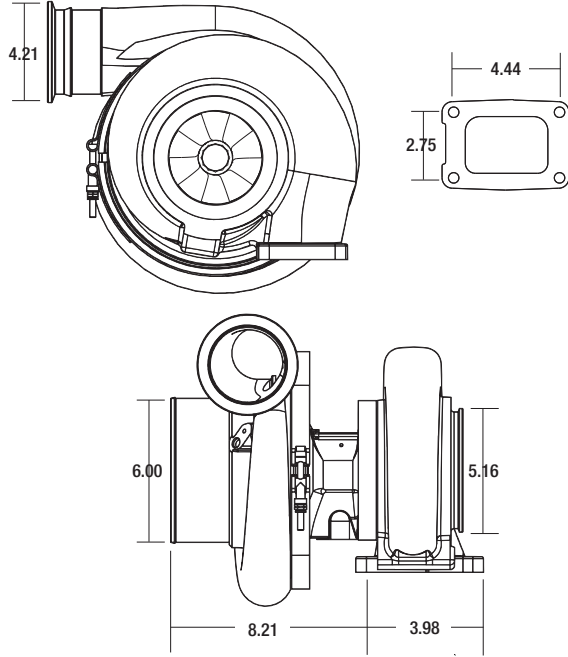


# S500SX

900 - 1475 HP Turbo



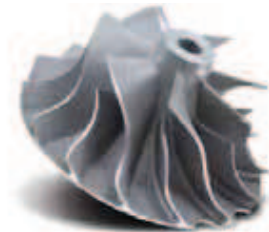
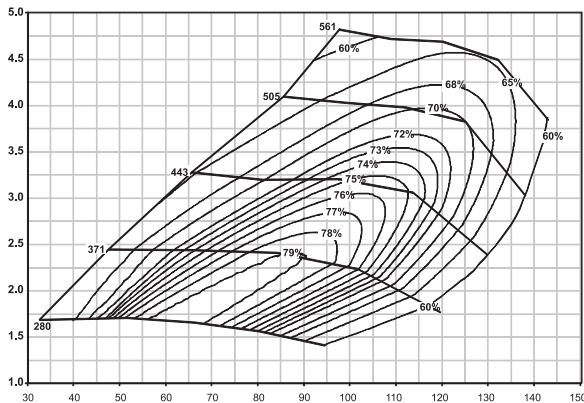
## Turbo Frame Dimensions



## Turbo Features

- Twin hydrodynamic journal bearings.
- Extended Tip Technology Compressor Wheel
- Available in twin scroll and open flow turbine volute options
- Adjustable compressor and turbine housing orientation
- Compressor cover recirculation grooves
- Optimized compressor inlet geometry
- Dual machined compressor cover discharge connection (v-band or hose bead)
- Premachined speed sensor mounting boss

## Compressor Map



## Extended Tip Technology Turbine Housing

Part Number	A/R
179159	.85 VOF
179160	1.00 VOF
179161	1.15 VOF
179162	1.45 VOF
179478	1.15 VTF
179192	1.45 VTF
179193	1.60 VTF

Turbo Part Number	Comp. Wheel O.D.	Comp. Wheel Inducer Dia.	Comp. Wheel Inducer Dia. (mm)	Turbine Wheel O.D.	Turbine Wheel O.D. (mm)	Turbine Wheel Exducer	Turbine Wheel Exducer (mm)	Turbine A/R	Super Core	Cartridge Assembly	Service Kit
179188	120.20	3.47	88.19	4.32	109.73	3.90	99.08	0.85	179186*	179187	173611

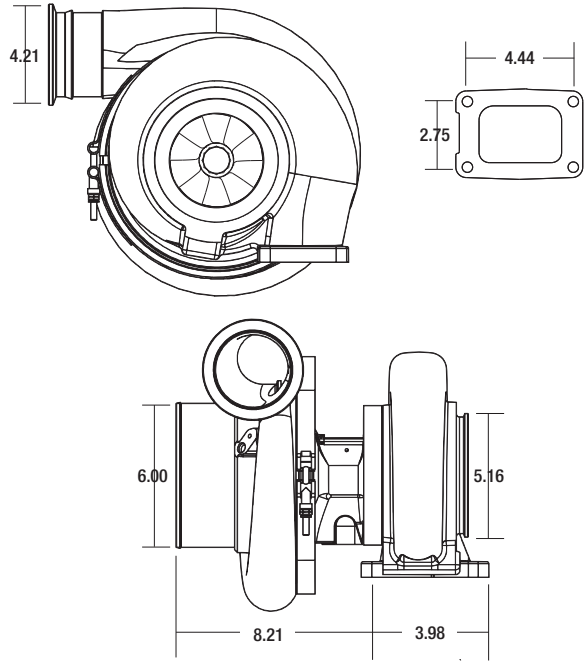
\* Super core options found on page 56

# S500SX

900 - 1575 HP Turbo



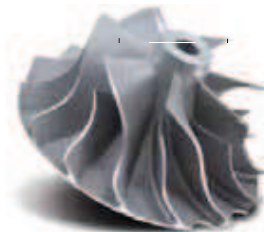
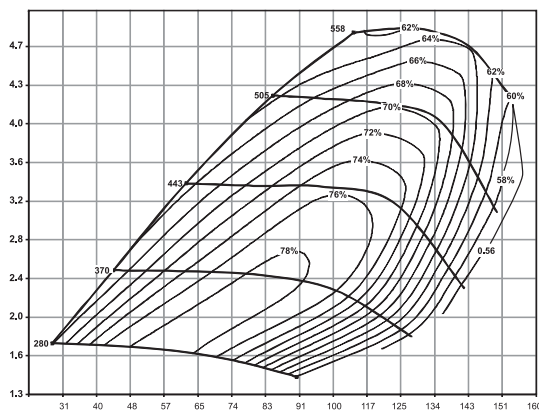
## Turbo Frame Dimensions



## Turbo Features

- Twin hydrodynamic journal bearings.
- Extended Tip Technology Compressor Wheel
- Available in twin scroll and open flow turbine volute options
- Adjustable compressor and turbine housing orientation
- Compressor cover recirculation grooves
- Optimized compressor inlet geometry
- Dual machined compressor cover discharge connection (v-band or hose bead)
- Premachined speed sensor mounting boss

## Compressor Map



## Extended Tip Technology

## Turbine Housing

Part Number	A/R
179159	.85 VOF
179160	1.00 VOF
179161	1.15 VOF
179162	1.45 VOF
179478	1.15 VTF
179192	1.45 VTF
179193	1.60 VTF

Turbo Part Number	Comp. Wheel O.D.	Comp. Wheel Inducer Dia.	Comp. Wheel Inducer Dia. (mm)	Turbine Wheel O.D.	Turbine Wheel O.D. (mm)	Turbine Wheel Exducer	Turbine Wheel Exducer (mm)	Turbine A/R	Super Core	Cartridge Assembly	Service Kit
179191	4.73	3.57	90.67	4.32	109.73	3.90	99.08	0.85	179190*	179189	173611

\* Super core options found on page 56